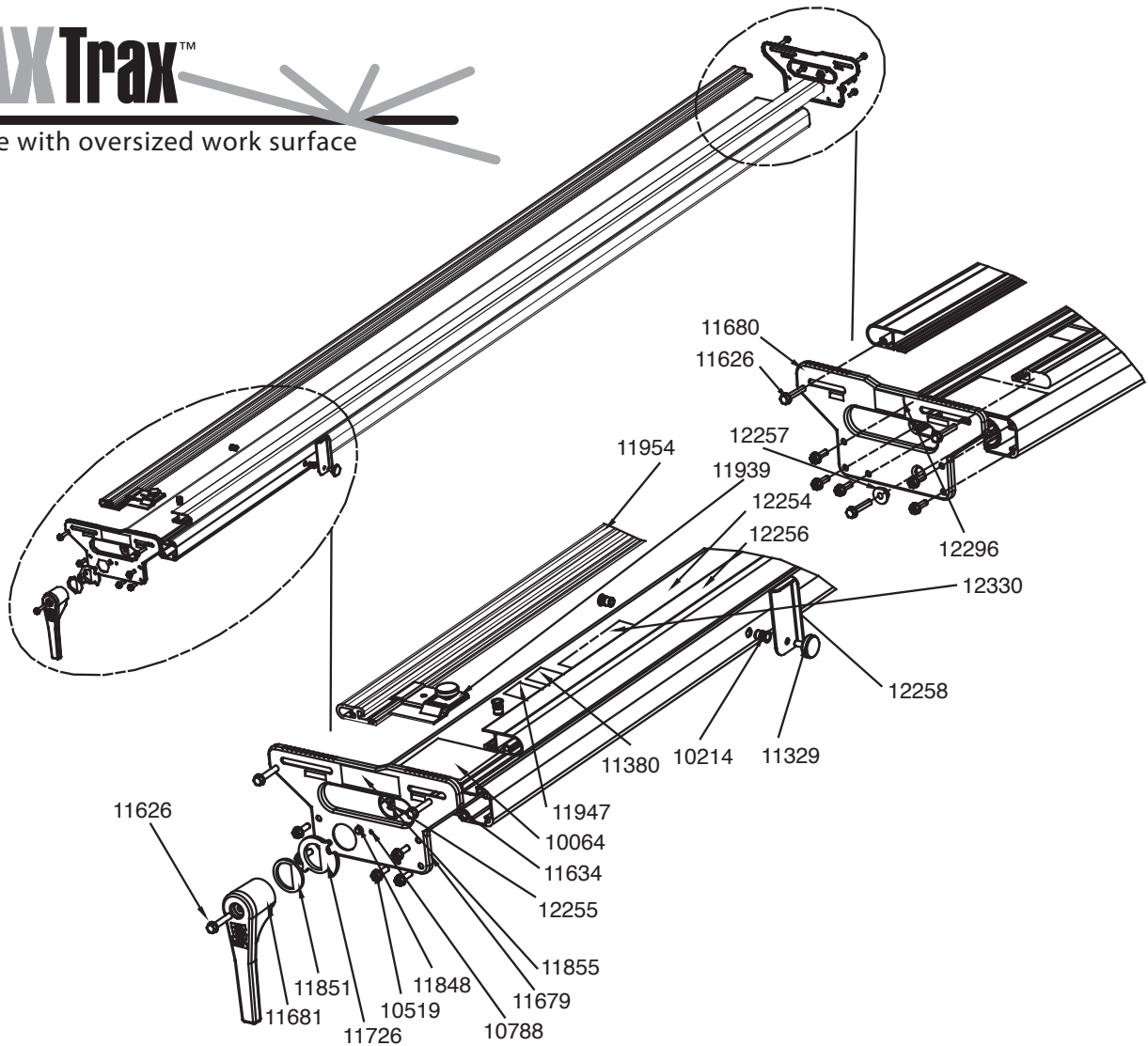


**PARTS LIST**

**MAXTrax™**

saw table with oversized work surface



Item #	Description
10064	Warning Label
10214	¼ -20 Rivet Nut Insert
10519	¼ -20 x ¾" Hex Head Screw
12303	¼ -20 x ¾" Knurled Knob
11626	¼ -20 x 1¼" Hex Head Screw
11634	Boom Stopper
11679	Left Boom End
11680	Right Boom End
11681	Boom Handle
11726	Boom Handle Collar
10788	1/8" Rivet
11848	Spring Button-F152
11851	Collar Gasket

Item #	Description
11855	Boom Label
11939	Saw Keeper Assembly
11947	Clean and Lube Label
11954	½" ProTrax Bushing
12253	Boom
12255	Cam Shaft
12256	Right Saw Track
12257	Left Saw Track
12258	MAXTrax Boom Support
12266	Saw Track Wear Strip
12330	MAXTrax Label