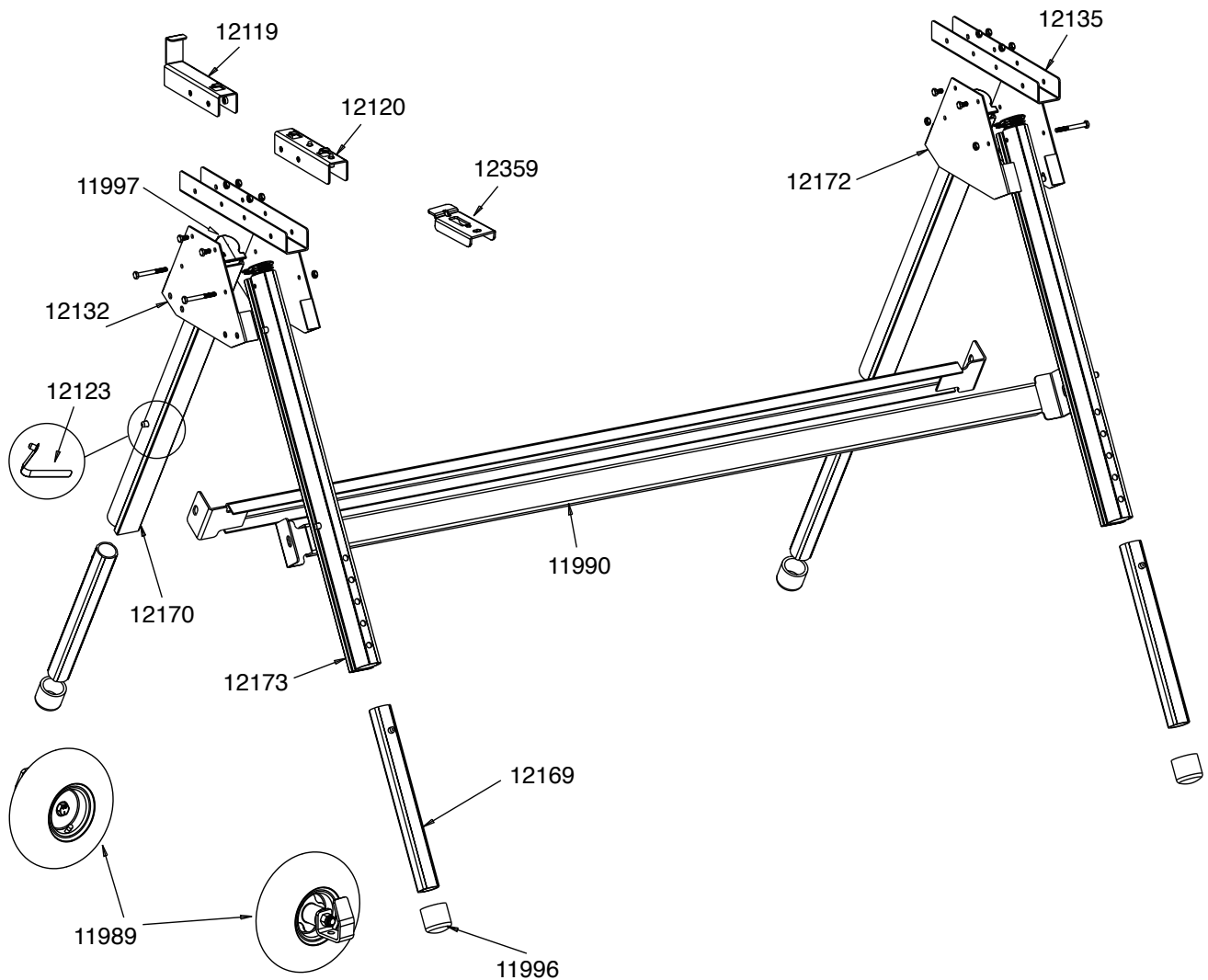




Original Snap Stand MAX
 Snap Stand Port-O-Slitter
 Snap Stand MAX Slitter
 Snap Stand



Item #	Description
11990	Cross Brace Assembly
11996	Rubber Leg Cap
11997	Plastic End Cap
12111	Universal Adaptor Kit
12123	Snap Button
12135	Top Channel
12132	Outer Side Plate
12172	Inner Side Plate
12170	Left Outer Leg Assembly
12173	Right Outer Leg Assembly
12169	Inner Leg Assembly
12120	Front Universal Adaptor
12119	Rear Universal Adaptor

Item #	Description
12323	Snap Stand Parts Bag
12404	MAX Snap Stand Upgrade Kit
MAX Snap Stand Specific Parts	
12318	MAX Adaptor Bracket Assembly
12321	Counter Balance Step 96.00
14697	Counter Balance Step Connector
12402	MAX Snap Stand Parts Bag
12319	Side Plate Assembly
MAX Slitter Snap Stand Specific Parts	
12210	MAX Slitter Cross Brace Assembly
12359	MAX Slitter Snap Stand Adaptor
Port-O-Slitter Snap Stand Specific Parts	
12344	24" POS Cross Brace Assembly

Item #	Description
12365	POS Snap Stand Adaptor
12379	POS Snap Stand Parts Bag